

VEGA T New electronic register for mobile vehicles



www.isoilmeter.com



VEGA T New electronic register for mobile vehicles

ISOIL IMPIANTI announces the new electronic register **VEGA T**, years of experience in the design and manufacture of electronic equipment for the downstream petrochemical industry have resulted in the design of this innovative, new product.

Why VEGA T?

The Vega and Vega II are well established general purpose counters suitable for all rack applications, custody transfer and vehicles. However, the Vega T has been designed primarily for tank truck, aviation dispenser and refueller applications.

A light weight, slim design with large LCD display are key features of the Vega T. Full functionality and user friendly, combine to provide the operator with maximum satisfaction.

The display is easily viewed both night and day, includes individual fields for relevant information. A comprehensive array of tactile buttons provides positive feedback to data entry and operations.

One or two PD or turbine meters can be connected to the unit using pulse emitters. Alternative meters can also be used as long as the Vega T is provided with a suitable pulse feed.

Unlike some competitor products, the Vega T is an 'all in one' unit: power supply, output relay and circuits for one or two meters, are all included within the slim, anodised aluminium housing. All the external devices (e.g. pulse transmitter, temperature probes, valves, interlocks) can be directly wired to the unit without the need for junction boxes / barriers.

Intrinsically safe circuits allow the use of inexpensive 'simple apparatus' such as temperature sensors, start/stop pushbuttons and interlock inputs.

Communication serial ports are designed for connection to printers, on board computers.

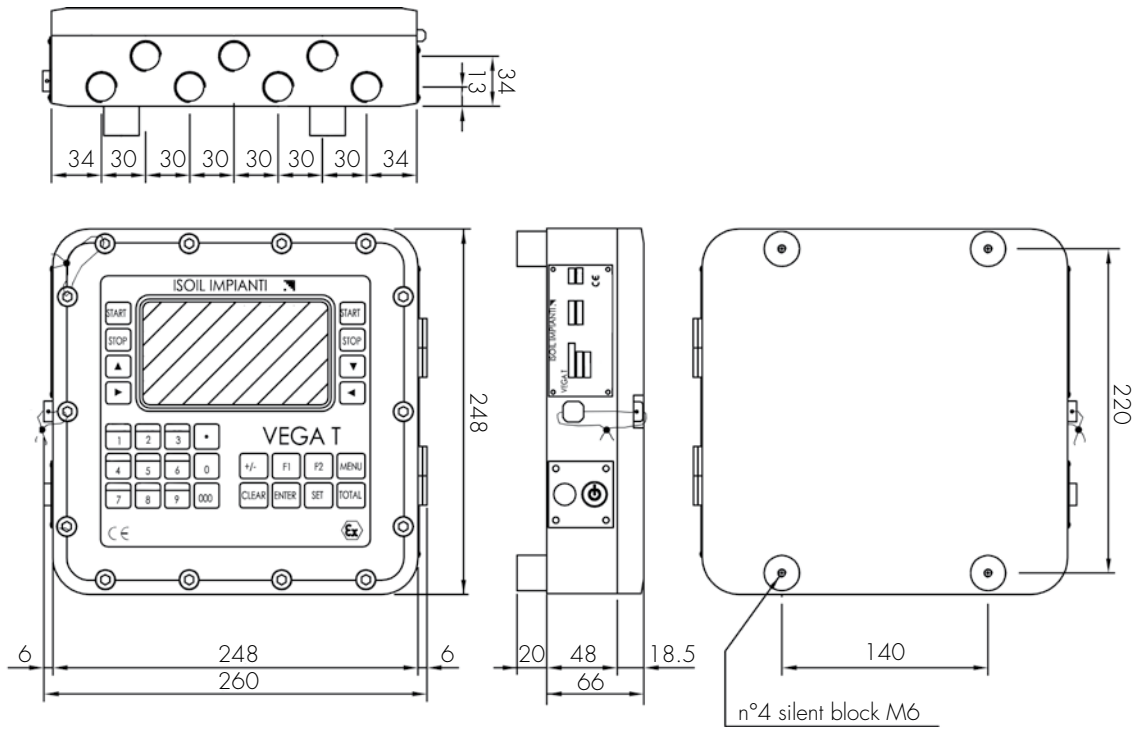
By developing a new technique using anodised aluminium, the attractive and practical Vega T has been designed as explosion proof and with W/P rating of IP66.

VEGA T complies with ATEX Directives, OIML R117 Recommendations, EMC Standards. Weights and Measures approvals have been obtained in Italy and in other countries or are pending.

Main functions

- » single or dual meter control for simultaneous operation
- » temperature compensation with any ASTM table
- » up to 8 products per meter
- » preset control or tank topping capability
- » calibration curve correction
- » continuous view of delivered net and gross volume, weight, rate of flow, temperature
- » clear view of information and prompts
- » range of rate of flow and temperature control
- » self diagnostics for internal parts and external devices
- » non volatile memory for setups and more than 200 transactions
- » remote START/STOP control
- » dead man, level switch, interlocks control
- » two stage, multistep, or on/off preset valve control if any or tank topping capability
- » override after preset capability
- » hoses and compartment valve selection
- » five communication ports for printers or computers (Proprietary or MOD_BUS protocol)
- » configurable print-out for ticket or continuous fold printers
- » intrinsically safe digital and analog inputs
- » highly accurate 4 wires Pt100 thermo probe accepted
- » driver identification via pin code or proximity card
- » stand alone or on board computer controlled operations
- » configurable emergency functions





VEGA T New electronic register for mobile vehicles

Technical features

Power supply 10÷30VDC / 15W
Working temperature -25 ÷ +55°C
Storage temperature -40 ÷ +65°C
Humidity 5 ÷ 95%UR
EX - protection II 2 (1) G EEx d [ia]ia IIB T6 approval INERIS 05 ATEX0034
W/P protection IP66 approved
Power output N° 12 I _{max} =1 Ampere
Digital "ia" inputs N° 6
Analog "ia" inputs N° 2 for 3 or 4 wires Pt100
Communication ports 2xRS232 + 2xRS485+1xRS422
Dimensions 248x248x67 mm Weight 6 Kg approx.
Cables entries N° 7x1/2" NPT (standard) / M20x1,5 (on request)
Fixing by N° 4 holes M6 - shock absorbers included

Models

VEGA T 3297 Totaliser+ preset
VEGA T 4297 Totaliser+ preset+ temperature comp

Accessories

EM6422 Pulses transmitter Temperature probes Pt100 ISOIL ST201 Slip Ticket printer ISOIL ST400 Thermal Ticket Printer
--



Isoil Impianti spa - Italy
24061 Albano S.Alessandro (Bg)
74, via Madonna delle Rose
Phone +39 035 4239.011
Fax +39 035 582078
sales@isoil-impianti.it
www.isoilmeter.com

Isoil Impianti spa - Italy
Sales offices
20092 Cinisello Balsamo (Mi)
27, via F.lli Gracchi
Phone +39 035 4239.011
Fax +39 02 66012457

Isoil Impianti spa
China Representative Office
Rm 2203. China Garments Mansion
99 Jianguo Road. Chaoyang District
100020. Beijing. P.R. China
Phone +86 10 6581 1618
Fax +86 10 6581 1618
china@isoilmeter.com