



## The electrical level transmitter with welded flange - side mounting

The PL3701-P-W Electronic Level Transmitter is a linearized, ceramic device specially designed for petroleum and chemical applications that measure level in service tanks, ballast tanks or slop and water tanks. It features an IP68-rated sensor through 316 L stainless steel housing and shielded polyester cable. The remote electronic box in Polyester includes the amplifier with

zero and span adjustment.

# PL3701-P-W - Technical Specifications

## Technical Data

<b>Ranges:</b>	120 mbar to 4 bar
<b>Overpressure:</b>	6 to 25 bar
<b>Accuracy:</b>	±0,3% FS at 20°C
<b>Ranges:</b>	120 mbar to 4 bar
<b>Protection class:</b>	- Transducer: IP68 - Remote electronic box: IP66
<b>Intrinsic safety:</b>	IECEX, ATEX II 1 G D Ex ia IIC T6 Ga or Ex ia IIB T6 Ga Ex ia IIIC T80°C Da IP66/67  (Max 50 m cable between transducer & remote electronic box)
<b>Power supply:</b>	12-28 Vdc
<b>Output signal:</b>	4-20 mA, 2-wires
<b>Operating temperature ranges:</b>	- Transducer: - 40° to + 125°C - Remote electronic box: - 25° to + 85°C
<b>Cable length:</b>	3m in standard (option: up to 50m)

## Special Features

### Material:

- Remote box: Polyester.
- Sensor: Stainless steel 316L.
- Diaphragm: Ceramic.
- Flange: Stainless steel 316L.
- Cable: Polyethylene (fire retardant).

Recommended zener barrier for installation in hazardous area : MTL7787+.

Sensor up to max 125°C.

Polyethylene cable up to max 60°C (standard).

PTFE cable up to max 120°C (optional).

2 or 3 flexible conduits (optional).

Screwed ISO flange: PN40DN25 or PN16DN40

## Technical Documentation

<b>Installation manual:</b>	MI5090
<b>Technical manual:</b>	NT5090
<b>Maintenance manual:</b>	MM5090

## Honeywell Marine SAS

9, rue Isaac Newton

ZA Port Sec Nord, Esprit 1

18000 Bourges – France

Phone : + 33 (0) 248 237 901

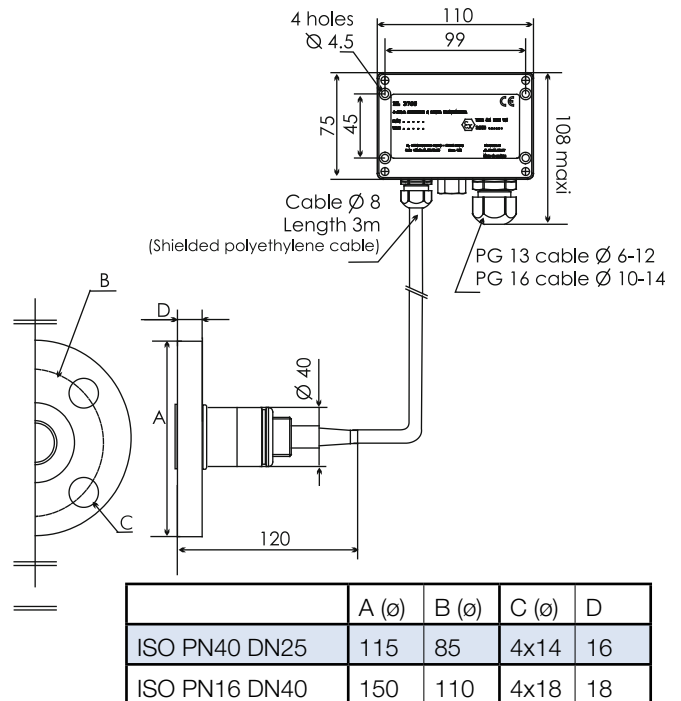
Fax : + 33 (0) 248 237 903

E-Mail: contact.marine@honeywell.com

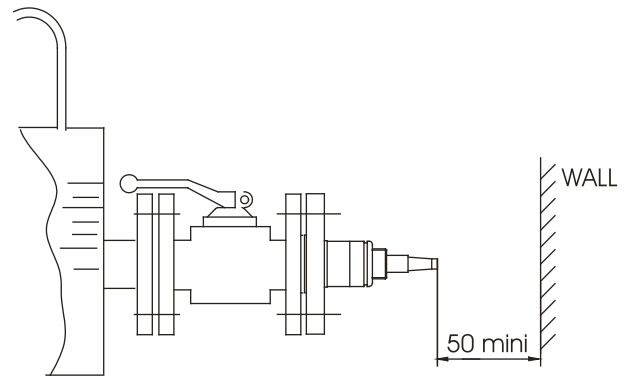
www.honeywellmarine.com

HM-11-54-ENG  
October 2013  
© 2013 Honeywell International Inc.

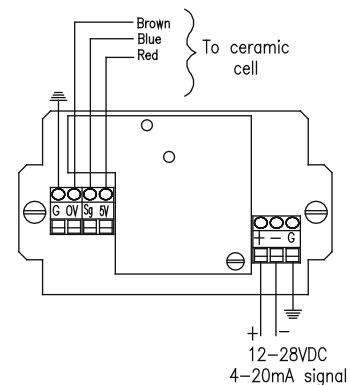
## Dimensions & Fixation



## Mechanical Connection



## Electrical Connection



# Honeywell