



Temperature Transmitter for Liquid Cargo

The T901-Px0 Temperature Transmitter meets the most rigorous liquid cargo monitoring requirements. The transmitter features a unique modular design allowing for easy maintenance, and can be connected via a flexible hose for insensitivity to heavy seas. Its temperature probes (from one to three) provide high-accuracy liquid temperature measurements enabling the computer to correct for density parameters.

T901Px0 - Technical Specifications

Technical Data

TEMPERATURE

Temperature sensors: PT100Ω at 0°C (3 wires)

Accuracy: IEC 751 class B

Range: - 46°C to +250°C

GENERAL

Intrinsically safe: IECEx, ATEX.
II 1 G D
Ex ia IIC or IIB T6 Ga
Ex ia IIIC T80°C Da IP66/67

Operating ambient temperature: -35°C to +70 °C

Storage temperature: -55°C to +85°C

Protection class: IP66/67

Special Features

Material:

- Housing: Stainless steel 316L
 - Temperature sensor: Stainless steel 316L
- Specific model available for installation on immersed pump (T901x0-PI)

Available types:

- T901-P10 1 sensor
- T901-P20 2 sensors
- T901-P30 3 sensors

Standard lengths: 1m; 2m; 3m; 5m; 8m; 15m

Optional: Flexible hose BV2 or BV3 type according to cable diameter.

Approved by major classification societies

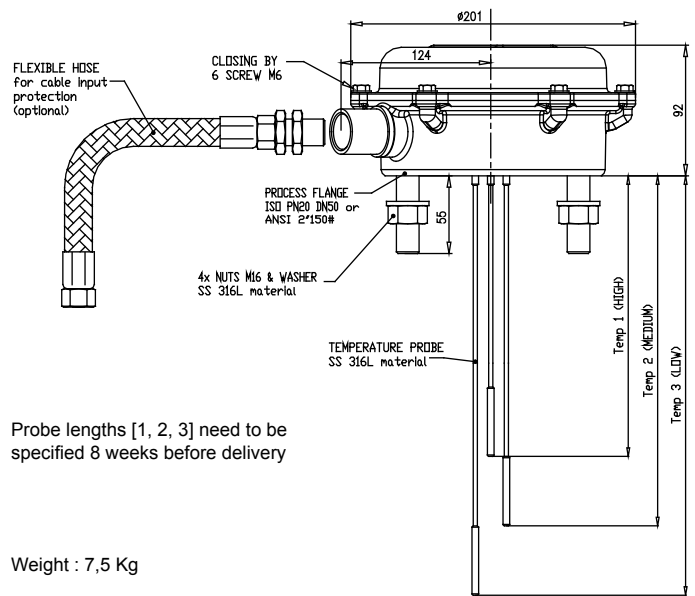
Technical Documentation

Installation manual: MI5016

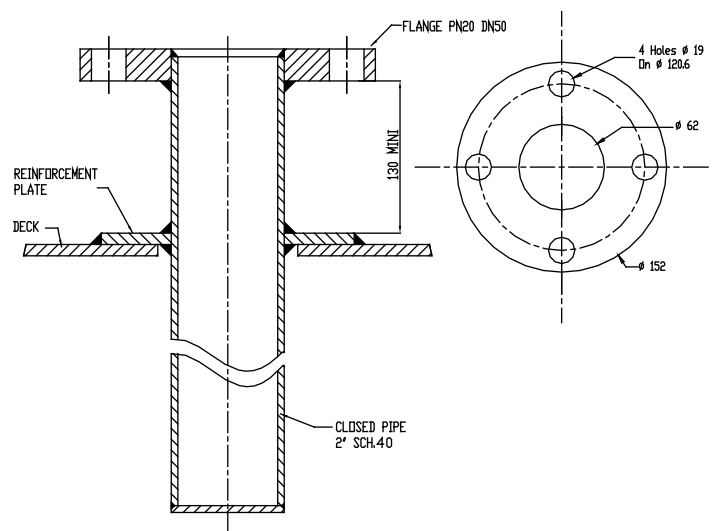
Technical manual: MT5016

Maintenance manual: MM5016

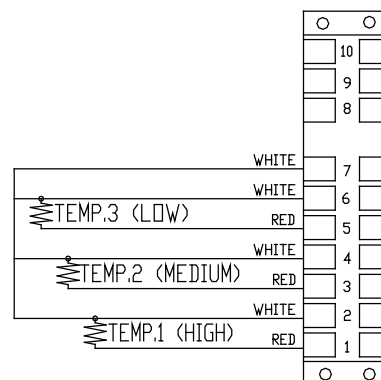
Mechanical Fittings & Dimensions



Process Connection



Electrical Connection



Honeywell Marine SAS

9, rue Isaac Newton

ZA Port Sec Nord, Esprit 1

18000 Bourges – France

Phone : + 33 (0) 248 237 901

Fax : + 33 (0) 248 237 903

E-Mail: contact.marine@honeywell.com

www.honeywellmarine.com

HM-11-33-ENG
February 2013
© 2010 Honeywell International Inc.

Honeywell