



Electro-pneumatic Tank Level Transmitter – Protected Areas

The CT801LB/S-B Electro-pneumatic Tank Level Transmitter performs remote level measurements based on the bubbler-type principle providing 4-20 mA analog output.

The transmitter's proven reliability has made it the marine industry standard for equipment in this category, with more than 2,000 vessels already equipped.

Approved by major international classification societies, the CT801LB/S-B is designed for top tank mounting. When there is a lack of air or neutral gas supply pressure (below 1 bar), its integrated and automatic non-return valve will close to avoid any liquid return back to the transmitter via the bubbling line.

For pressurized tanks, the level is the deduction of the inert gas pressure (above the liquid) to the hydrostatic pressure measured.

CT801LB/S-B - Technical Specifications

Technical Data

Output signal:	4-20 mA
Power supply:	12 to 28 Vdc
Range:	0 to 4000 mbar
Accuracy:	± 0,3% FS at 20°C
Bubbling flow:	10l/h (automatic regulator)
Air supply:	- 4 to 10 bar - Quality 3 - Particle size 5 microns - Pressure Dew point: -20°C - Oil content: 1mg/m3
Protection class:	IP66
Operating temperature:	-20°C +70°C
Bubbling line connection:	1/2"NPT

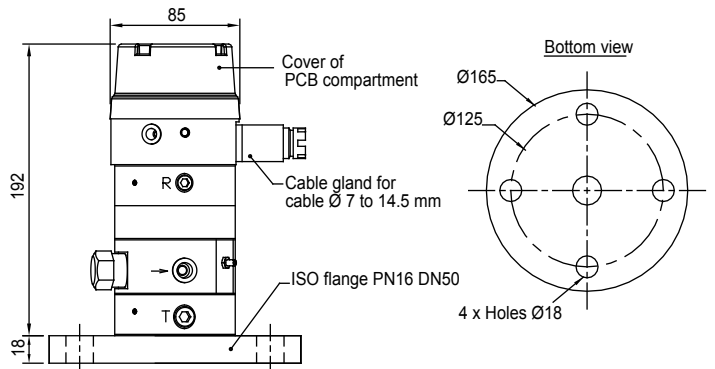
Special Features

Material:	Brass
Automatic:	- Overpressure valve - Air supply safety valve - Bubbling line non-return valve - Bubbling line cleaning
Connections:	- Pressurized tanks. - Pressure level indicator.
For mounting in protected area (not on deck) .	
Bracket fixation for wall mounting (optional).	

Technical Documentation

Technical manual:	MT5005
Installation manual:	MI5005
Maintenance manual:	MM5005

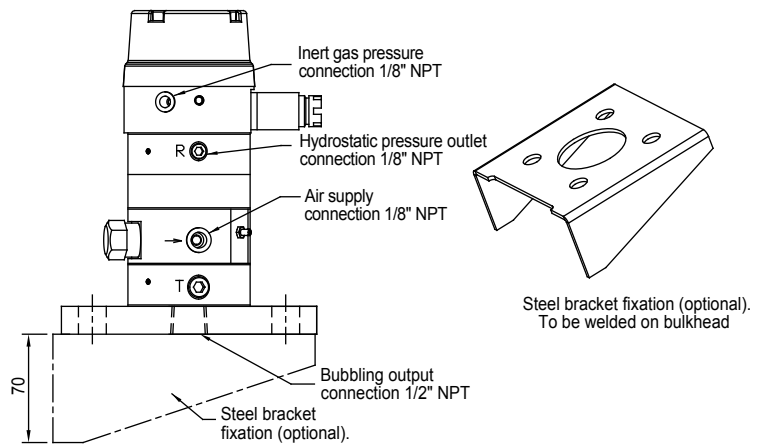
Mechanical Fittings & Dimensions



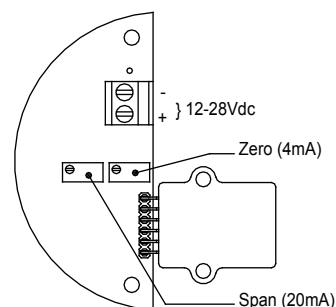
Range to be specified 8 weeks before delivery

Weight : 8,4 Kg

Mechanical Connection



Electrical Connection



Honeywell Marine SAS

9, rue Isaac Newton
 ZA Port Sec Nord, Esprit 1
 18000 Bourges – France
 Phone : + 33 (0) 248 237 901
 Fax : + 33 (0) 248 237 903
 E-Mail: contact.marine@honeywell.com
 www.honeywellmarine.com

HM-11-8-ENG
 February 2013
 © 2010 Honeywell International Inc.

Honeywell