

Electro-pneumatic Level Measuring Cabinet

The TN3801 Electro-pneumatic level measuring cabinet is ideally suited for service tanks, ballasts and drafts. It can include up to 24 channels of pneumatically independent modules.

Modules are built-in with an automatic non-return valve which is activated as soon as there is a lack of air supply pressure (below 1 bar). When this valve is closed, liquid cannot return via the bubbling line back to the transmitter.

Within the TN3801, a microcontroller carries out data processing, digital conversion and management of two redundant RS485/422 communication ports.

Approved by major international classification societies, the TN3801 is appropriate for use on all types of vessels. This modular, compact level measuring cabinet is designed for installation above the main deck in a safe and protected area.

TN3801 - Technical Specifications

Technical Data

Channel number:	from 8 up to 24
Accuracy:	±0.3 % FS at 20°C
Communication:	2 x redundant RS485/422 ports Modbus protocol
Air supply:	6 / 10 bar
Air consumption:	15 l/h per channel
Operating & storage temperatures:	+5°C to +70°C
Pneumatic connections:	¼ GAS female
Electrical power supply:	230/115 VAC
Electrical consumption:	0.5 VA per channel
Installation environment:	safe and protected area
Protection degree:	IP44

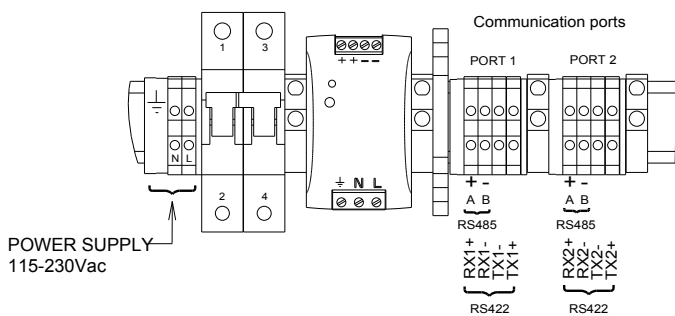
Special Features

- Automatic air flow regulator
- Connections for pressurized tanks (optional)
- Integrated air filtration group
- Options:** display unit, up to 8 x 4-20mA inputs
- Self monitoring, 4-20mA outputs

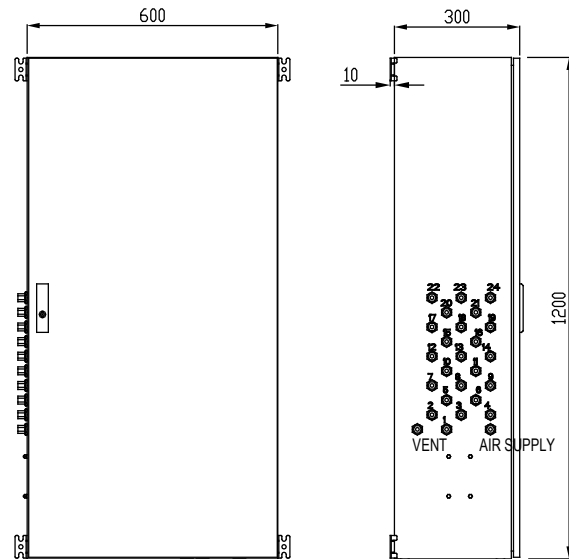
Technical Documentation

Installation manual:	MI5015
Technical manual:	MT5015
Maintenance manual:	MM5015

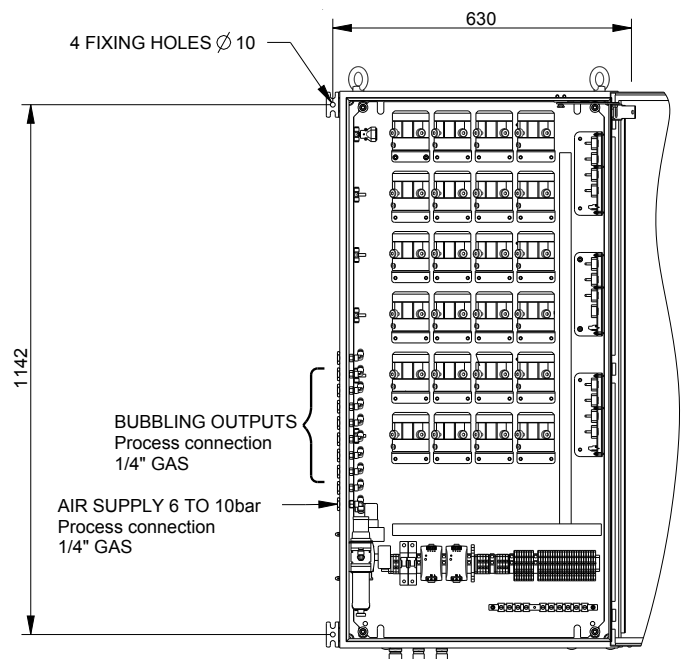
Electrical Connection



Mechanical Fittings & Dimensions



Mechanical Connection



Honeywell Marine SAS

9, rue Isaac Newton
 ZA Port Sec Nord, Esprit 1
 18000 Bourges – France
 Phone : + 33 (0) 248 237 901
 Fax : + 33 (0) 248 237 903
 E-Mail: contact.marine@honeywell.com
 www.honeywellmarine.com

HM-11-38-ENG
 March 2013
 © 2010 Honeywell International Inc.

Honeywell