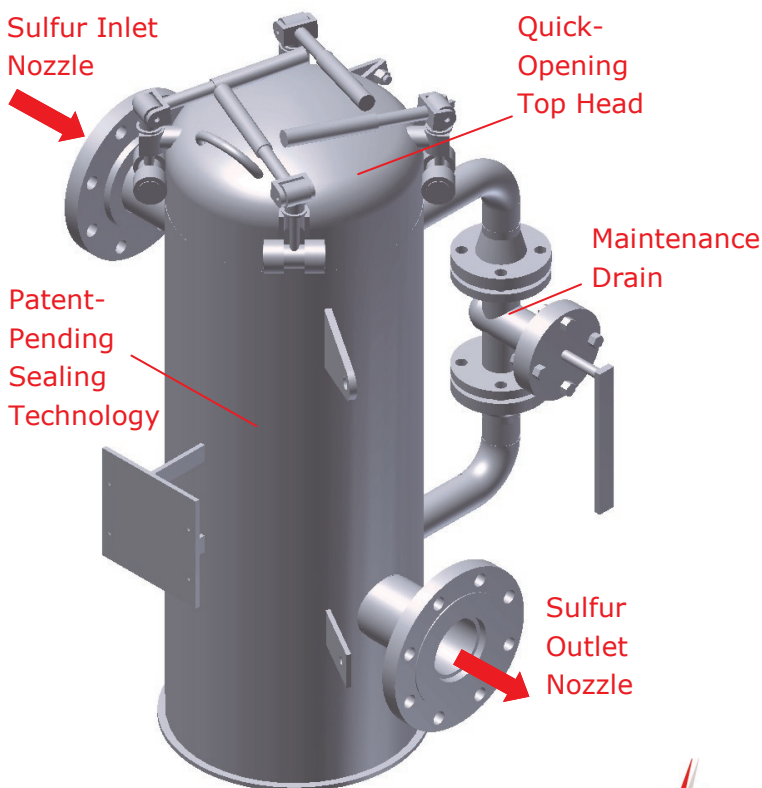


CSI's S_xSeal™ 1000 ensures reliable vapor-sealing performance in Sulfur Recovery Unit rundown lines.

BENEFITS

- ◆ **Safe, reliable sealing performance:** Prevents vapor from flowing downstream
- ◆ **Easy to install:** Installed entirely above ground with simple flange connections
- ◆ **Easy to maintain:** Internals accessible via quick-opening top head
- ◆ **Continuous SRU operation:** Regular cleaning is performed with the SRU operating at full capacity



STANDARD FEATURES

- ◆ Patent-pending internal sealing mechanism
- ◆ Interchangeable internal components
- ◆ Quick-opening top head
- ◆ Stainless steel sealing components; all other components carbon steel
- ◆ Maintenance drain
- ◆ Heated externally with ControTrace® steam tracing system (not shown)

OPTIONAL CONFIGURATIONS

- ◆ **Option 1:** Rod-out nozzles
- ◆ **Option 2:** Bottom discharge
- ◆ **Option 3:** All stainless steel construction
- ◆ **Option 4:** Pressure relief bypass

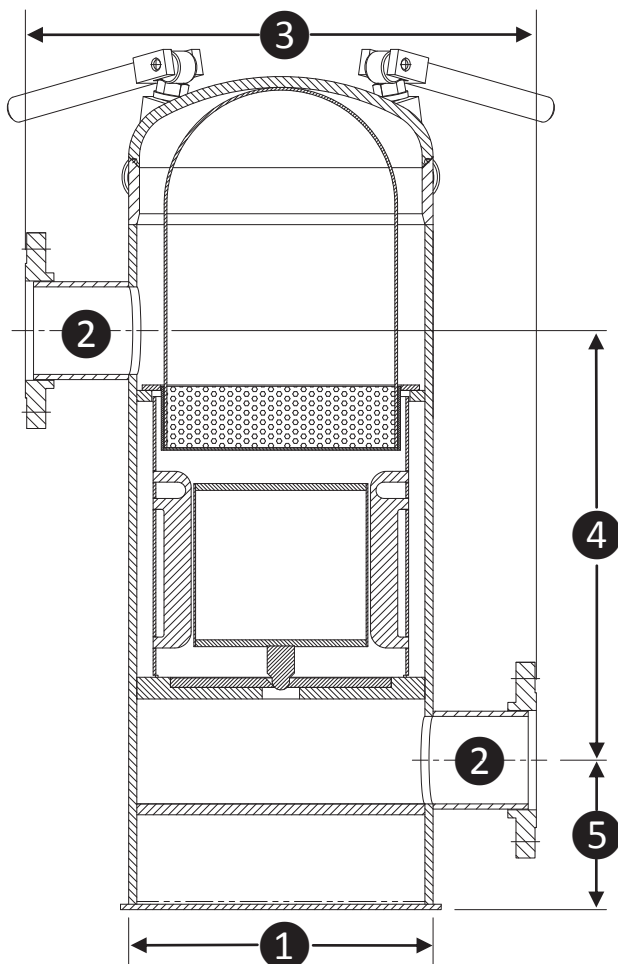
The S_xSeal™ 1000 is backed by CSI's engineering expertise, expansive production capacity, and exemplary customer service. CSI's S_xSeal™ 1000 delivers the technical and commercial value you've come to expect from CSI for over 50 years.

The Above-Ground Sulfur Seal from the Makers of ControTrace®

SPECIFICATIONS

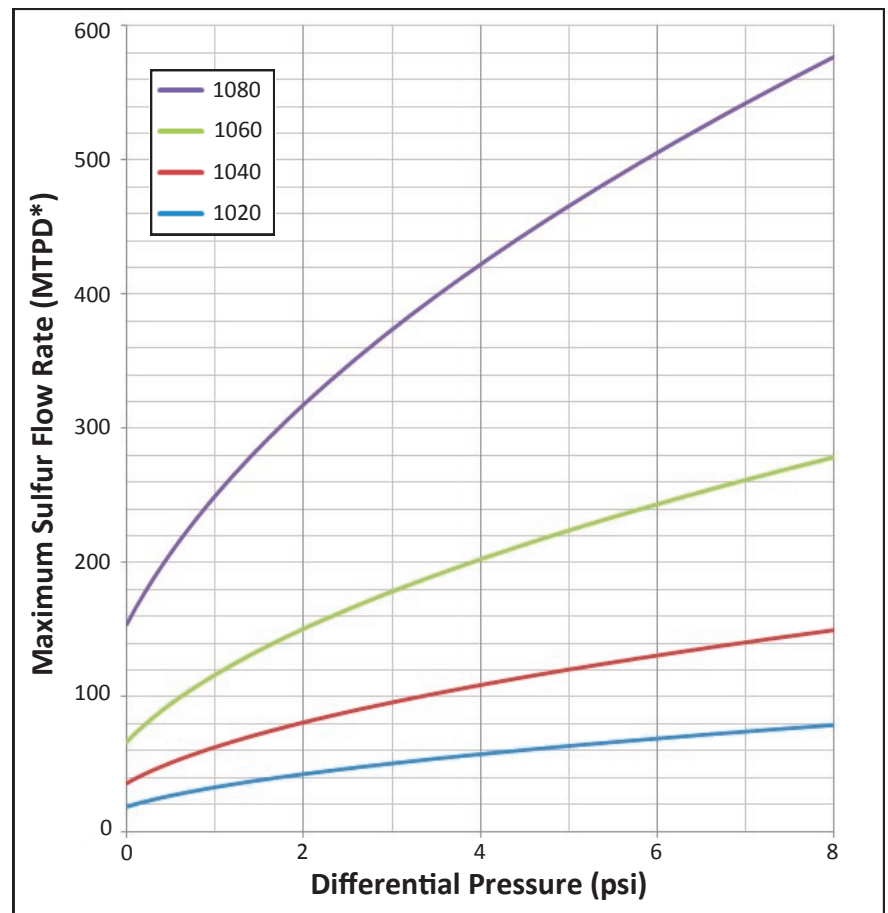
Standard Models:	1020	1040	1060	1080
SRU Operating Parameters:				
Maximum Sulfur Flow Rate (@ 4 psi)	50 MTPD*	100 MTPD*	200 MTPD*	400 MTPD*
External Dimensions:				
① Vessel Diameter NPS	12"	14"	16"	18"
② Inlet/Outlet Nozzle NPS	3"	4"	6"	6"
③ Inlet Flange—Outlet Flange	22-1/8"	24-1/2"	27-1/4"	29-1/4"
④ Inlet Centerline—Outlet Centerline	19-1/4"	20"	23"	24-1/2"
⑤ Outlet Centerline—Base	6-3/8"	6-7/8"	8-1/4"	8-1/4"

STANDARD UNIT DESIGN



OPERATING RANGE

*MTPD = Metric Tonnes Per Day



The maximum operating flow rate through the unit is a function of the upstream operating pressure as summarized in the chart.