



Liquid Level Switch for Chemicals & High Temperature Products – Overflow 95% or 98%

The Lidec L91-CHT Liquid Level Switch, specially designed for maritime applications, is highly resistant to chemicals or high temperature liquid products.

Equipped with welded probe, it is a fully static device using an operating principle based on the propagation of a surface wave which makes avoid any mechanical moving parts. The detector is insensitive to vibration, shock and electrical disturbances and its reliability is ensured by a built-in function for monitoring electronic or transducer failures.

The Lidec L91-CHT is designed for installation on the deck. The detector requires no calibration, as it is not influenced by any type of fluid.

L91-CHT - Technical Specifications

Technical Data

Accuracy:	±2mm
Operating temperatures:	- Ambient: - 25 °C +70°C - Liquid: - 40°C +150°C - 40°C +250°C (optional)
Power supply:	18 to 28 Vdc
Protection class:	IP66/67
Intrinsically safe:	IECEX, ATEX. II 1 G D Ex ia IIC or IIB T6 or T5 or T4 Ga Ex ia IIIC T80°C or T95°C or T130°C Da IP6X

Special Features

Materials:

- Probe: Stainless steel 904L.
- Head : Stainless steel 316L.
- Flexible hose: Stainless steel 316L.

Probe length: on request (3000 mm maximum).

Flange: ISO PN20 DN40

Output signal:

- 18 mA (outside liquid)
- 6 mA (detection of liquid)

Welded detection probe.

For **chemical or high temperature products.**

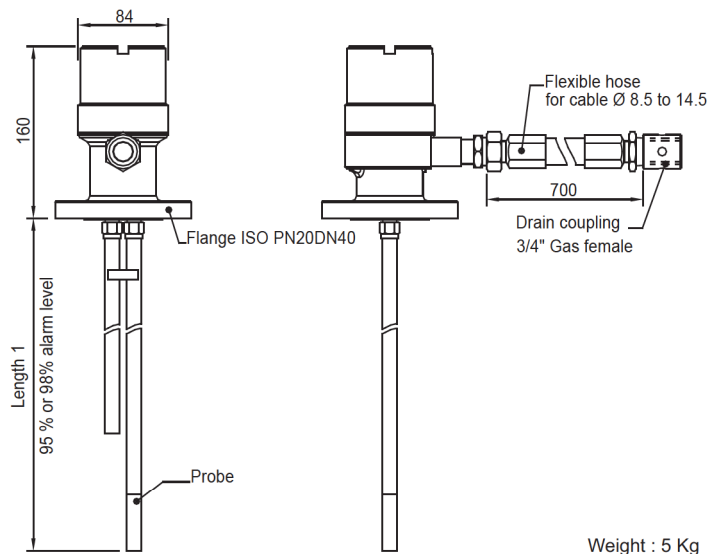
ON LINE TEST is done without opening Lidec by applying magnet on top of the connecting box (HM-11-40-ENG).

Technical Documentation

Installation manual: NT401

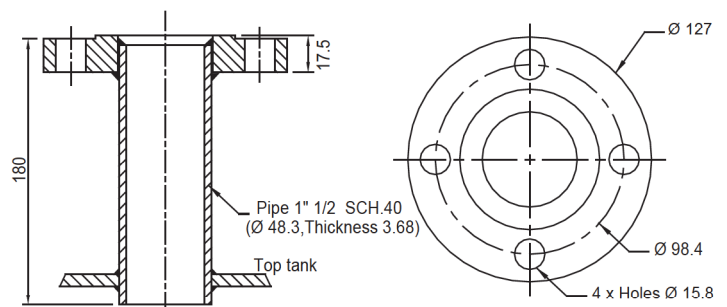
Maintenance manual: NT401

Mechanical Fittings & Dimensions

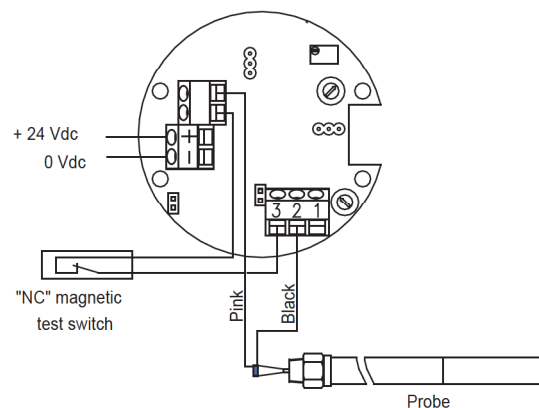


Note: Length 1 needs to be specified 8 weeks before delivery

Process Connection



Electrical Connection



Honeywell Marine SAS

9, rue Isaac Newton
ZA Port Sec Nord, Esprit 1
18000 Bourges – France
Phone : + 33 (0) 248 237 901
Fax : + 33 (0) 248 237 903
E-Mail: contact.marine@honeywell.com
www.honeywellmarine.com

HM-11-17-ENG
February 2013
© 2010 Honeywell International Inc.

Honeywell