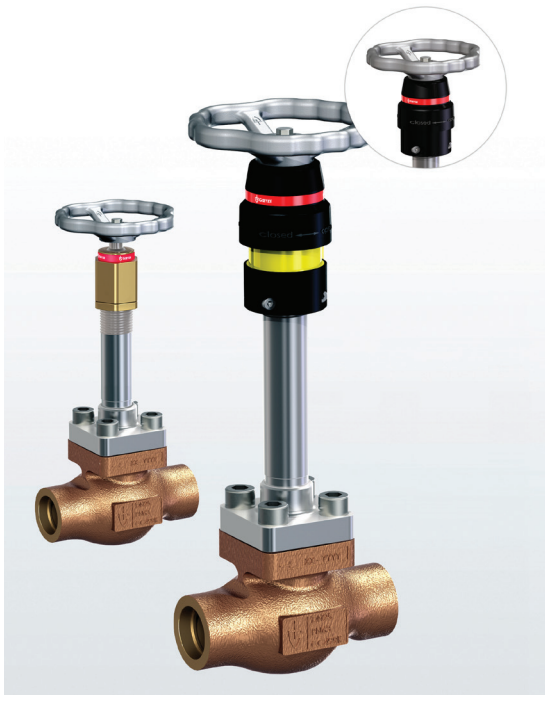


→ Series 2180



■ SUITABLE FOR

Liquids	neutral and non-neutral	
Air, gases and vapours	neutral and non-neutral	

■ EXAMPLES OF USE

Shut-off valve with position indicator in straight-through form for use on cryogenic tanks, cryogenic containers, transport containers and systems for the production, storage and transport of cryogenic liquefied gases such as LIN, LOX, CO<sub>2</sub>, LAr, LNG. Due to the standard position indicator, the stroke position / position can be immediately recognised via the yellow visual indicator of the manual actuator.

- N<sub>2</sub> in pharmaceutical / foodstuffs applications
- O<sub>2</sub> for medical supply equipment
- CO<sub>2</sub> for foodstuffs/ industrial applications
- LAr for welding
- Cooling plants

The pressure regulators are always manufactured free of oil and grease.



■ MATERIAL



■ SPECIFICATION



■ APPROVALS

EU type examination

Requirements

DGR 2014/68/EU  
DIN EN 1626  
TPED 2010/35/EU

■ MATERIAL

Component	Material	DIN EN	ASME
Body	Gunmetal	CC499K	CC499K
Valve upper section	Stainless steel	1.4408	CF8M
Extension tube	Stainless steel	1.4404	316L
Threaded bush	Tin bronze	CW459K	C52100
Valve cone	Brass	CW617N	CW617N
Screws	Stainless steel	1.4301	304
Hand wheel	Stainless steel	1.4408	CF8M
Seals	PTFE mod.	PTFE mod.	PTFE mod.
Position indicator	Plastic	PA glass fibre reinforced	PA glass fibre reinforced

<b>s</b>	Standard	for neutral and non-neutral media
----------	----------	-----------------------------------

### ■ MEDIUM

<b>GF</b>	gaseous and liquid	Cryogenic liquified gases, vapours and liquids, for gaseous oxygen maximum 40 bar / maximum 60 C
-----------	--------------------	---

### ■ TYPE OF OPERATION

<b>R</b>	manual operation with position indicator (standard)
<b>S</b>	manual operation without position indicator

### ■ AVAILABLE NOMINAL DIAMETERS AND CONNECTION SIZES

Nominal diameter DN		25	40
Inlet		25	40
Outlet	25	■	
	40		■

### ■ INITIATIVE HEIGHT

<b>A1</b>	190mm (DN25) / 220mm (DN40)	Upper section without extension (short version)
<b>A2</b>	270 mm	Stainless steel extension tube
<b>A3</b>	370 mm	Stainless steel extension tube

Please select a initiative height that does not cause icing on the spindle seal. | Further initiative heights on request.

### ■ TYPE OF CONNECTION INLET / OUTLET

<b>LM1 / LM1</b>	soldering socket LM1 / soldering socket LM1	DIN EN ISO 1127 / DIN EN ISO 1127
<b>LM2 / LM2</b>	soldering socket LM2 / soldering socket LM2	ASTM A312 S10 / ASTM A312 S10
<b>LM3 / LM3</b>	soldering socket LM3 / soldering socket LM3	ASTM A312 S40 / ASTM A312 S40
<b>LM4 / LM4</b>	soldering socket LM4 / soldering socket LM4	DIN EN 12449 / DIN EN 12449
<b>f / f</b>	female thread BSP-P / female thread BSP-P	DIN EN ISO 228-1 / DIN EN ISO 228-1
<b>NPTF-f / NPTF-f</b>	female thread NPTF-f / female thread NPTF-f	ANSI B1.20.3 / ANSI B1.20.3

### ■ DIMENSIONS AND ORDERING CODE FOR PIPE CONNECTIONS

Nominal diameter	DN	25	40
Connection type for pipes according to DIN EN ISO 1127	D	33,7	-
Dimensions for soldering socket <b>LM1</b> / soldering socket <b>LM1</b>	e	3,2	-
Order code <b>XX</b>		BN	-
Connection type for pipes according to ASTM A312 S10	D	33,40	48,26
Dimensions for soldering socket <b>LM2</b> / soldering socket <b>LM2</b>	e	2,77	2,77
Order code <b>XX</b>		AY	BC
Connection type for pipes according to ASTM A312 S40	D	33,40	48,26
Dimensions for soldering socket <b>LM3</b> / soldering socket <b>LM3</b>	e	3,38	3,68
Order code <b>XX</b>		AZ	BD
Connection type for pipes according to DIN EN 12449	D	28,00	42,00
Dimensions for soldering socket <b>LM4</b> / soldering socket <b>LM4</b>	e	1,50	1,50
Order code <b>XX</b>		BJ	BL

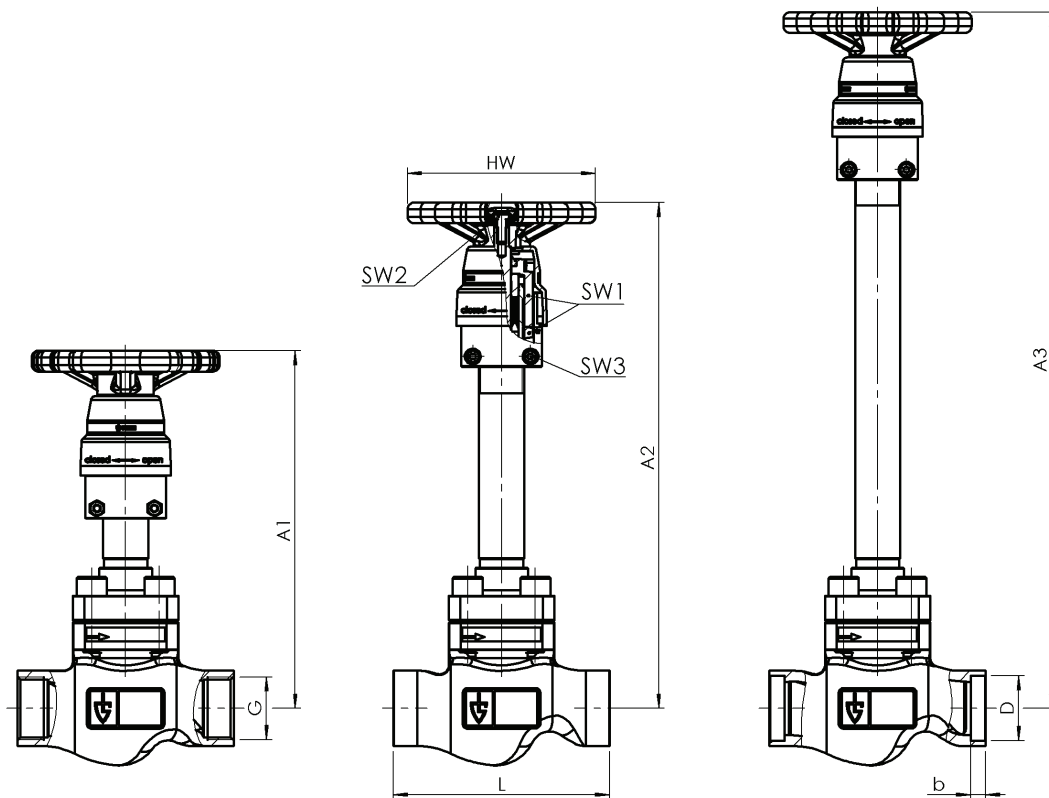
### ■ SEALS

<b>PTFE</b>	Polytetrafluoroethylene	PTFE mod.	-196°C to +120°C
-------------	-------------------------	-----------	------------------

■ NOMINAL DIAMETERS, CONNECTIONS, INSTALLATION DIMENSIONS

Series 2180: Connection, installation dimensions			
Nominal diameter	DN	25	40
Pressure level	PN	63	63
Operating pressure	bar	63	63
Threaded connection	G	1	1 ½
Installation dimensions in mm	L	115	130
	b	13	13
	A1	206	241
	A2	286	291
	A3	386	391
	HW	100	125
	SW1	30	36
	SW2	8	13
Weight (hight A1)	kg	1,8	3,6
Weight (hight A2)	kg	1,9	3,7
Weight (hight A3)	kg	2,2	4,1
Kvs-value	m³/h	12,2	24,6
Cv-value	gal/min	14,3	28,8

■ MAIN DIMENSIONS, INSTALLATION DIMENSIONS



Series 2180 ■ INDIVIDUAL SELECTION / VALVE CONFIGURATION

Series	Valve version	Medium	Type of operation	Initiative Height	Nominal diameter DN	Connection type		Connection size	Seal
						Inlet	Outlet		
2180	s	GF	R	A1	25	LM4	LM4	BJ/BJ	PTFE
2180	s	GF	S	A2	40	f	f	40/40	PTFE
2180									
2180									

■ CERTIFICATES / APPROVALS

<b>C01</b>	Factory certificate acc. DIN EN 10204 2.2 (WKZ 2.2)	<input type="checkbox"/>	<b>C11</b>	Certification of the production process especially for gaseous oxygen applications by employment of specific materials	<input type="checkbox"/>
<b>C02</b>	Test certificate acc. DIN EN 10204 3.1 (WPZ 3.1)	<input type="checkbox"/>			<input type="checkbox"/>
<b>C03</b>	Material test certificate acc. DIN EN 10204 3.1 (MPZ 3.1) (pressure retaining part)	<input type="checkbox"/>			<input type="checkbox"/>
<b>C06</b>	ATEX evaluation acc. to 2014/34/EU	<input type="checkbox"/>			<input type="checkbox"/>

■ ADMISSIONS / ACCREDITATIONS

<b>AA1</b>	EC Type examination acc. to Directive 2014/68/EU	<input type="checkbox"/>			<input type="checkbox"/>
		<input type="checkbox"/>			<input type="checkbox"/>
		<input type="checkbox"/>			<input type="checkbox"/>

■ ENQUIRY

Copy and send to: [order@goetze-armaturen.de](mailto:order@goetze-armaturen.de).

Order form easily to be found online under the section for each series.